



TECHNICAL CONDITIONS No. 060/2023-R&D

for delivery of the bearing **VALASKA 115** and using with rotor cup

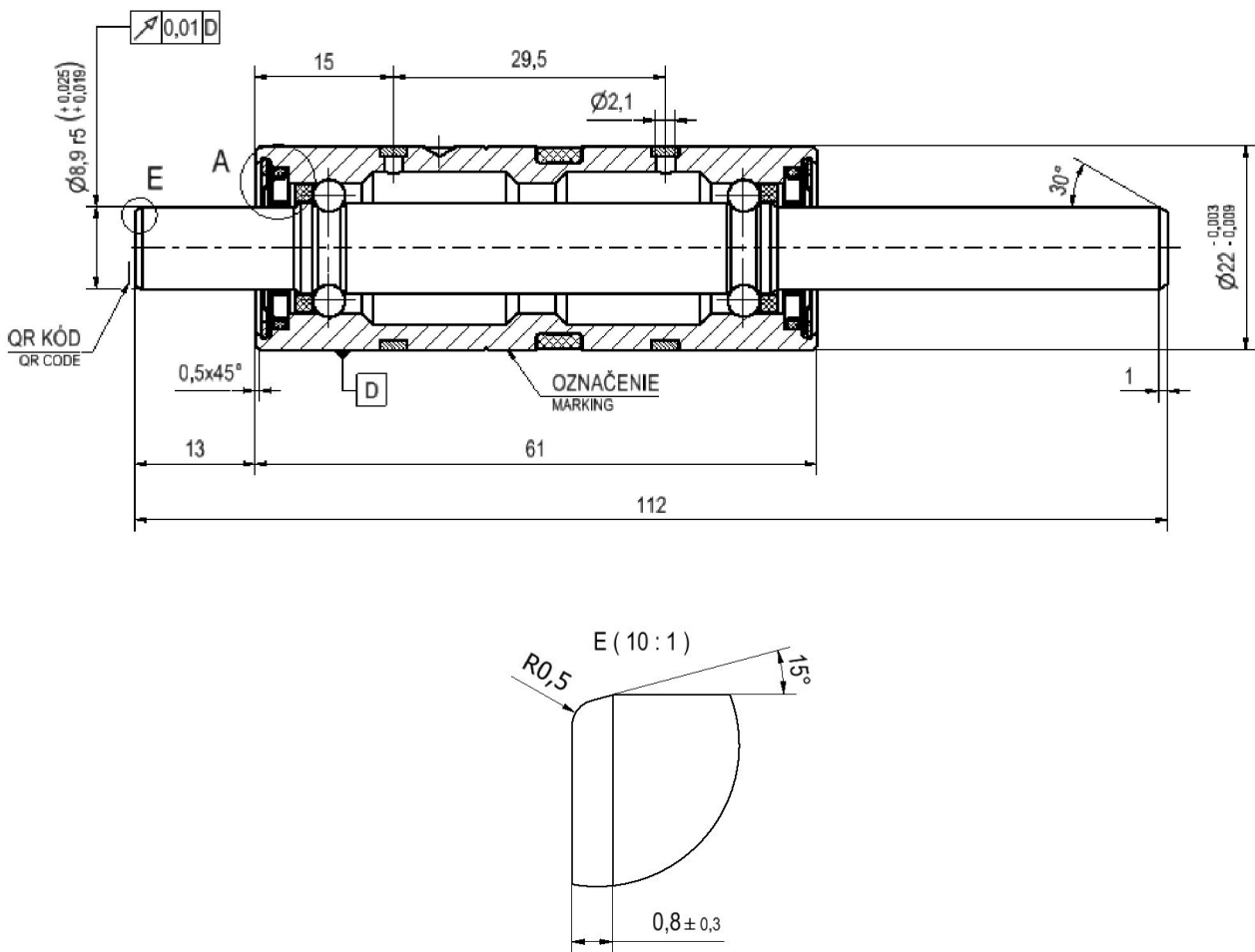
Description of the goods:	special double row bearing for rotor spinning in Open-end textile machines
Drawing No.:	09800112T24
Marking:	VALASKA 115, Kinex logo, MADE IN SLOVAKIA, character code – on the surface of outer ring QR code – on the face of shaft (rotor cup side)
Resilent mounting type:	83-18-2, 83-18-4, 83-18-5
Working temperature:	Open-end textile machines must be placed in the conditioned environment, where the temperature is between 18-32°C and relative humidity is about 50-65%.
Maximum revolutions:	115 000 min + 1 %
Position in machine:	Horizontal
Dynamic load rate:	1310 N for one row
Static load rate:	380 N for one row
Belt load:	$Fr \leq 18N$
Roror cup weight:	max. 0,025kg
Unbalance:	Residual specific unbalance of bearing with the rotor cup can be in both balancing planes max. 0,25 μm . The maximum permissible specific unbalance in the textile operation in both balancing planes levels is 0,5 μm
Relubrication interval:	2000 \pm 100hrs (quantity of the oil ISOFLEX PDP 65 KLUBER LUBRICATION is approximately 0,2 cm^3 for the whole bearing, 0,1 cm^3 for each hole)
Corrosion protection:	Conservation in oil fog, in order to avoid corrosion it is protected until it is opened for the first time, but not later than 24 months from the packaging date marked at the package

Packing: 40 pcs in PE bag and carton box

Warranty:

- a. 8000 operating hours worked in a period no longer than 3 years, with acceptable interruptions of 5%. Bearings discarded for failure beyond tolerable outage will replace for new ones free of charge.
- b. bearings discarded for their failure to 500 operational hours will replace free of charge (These bearings shall not be included in failures under a. of Warranty section)
- c. Operation of the bearings in damaged flexible nest or in any other flexible nest that is not produced by The Seller is inadmissible

Scheme of bearing:



Bytča, October 30, 2023